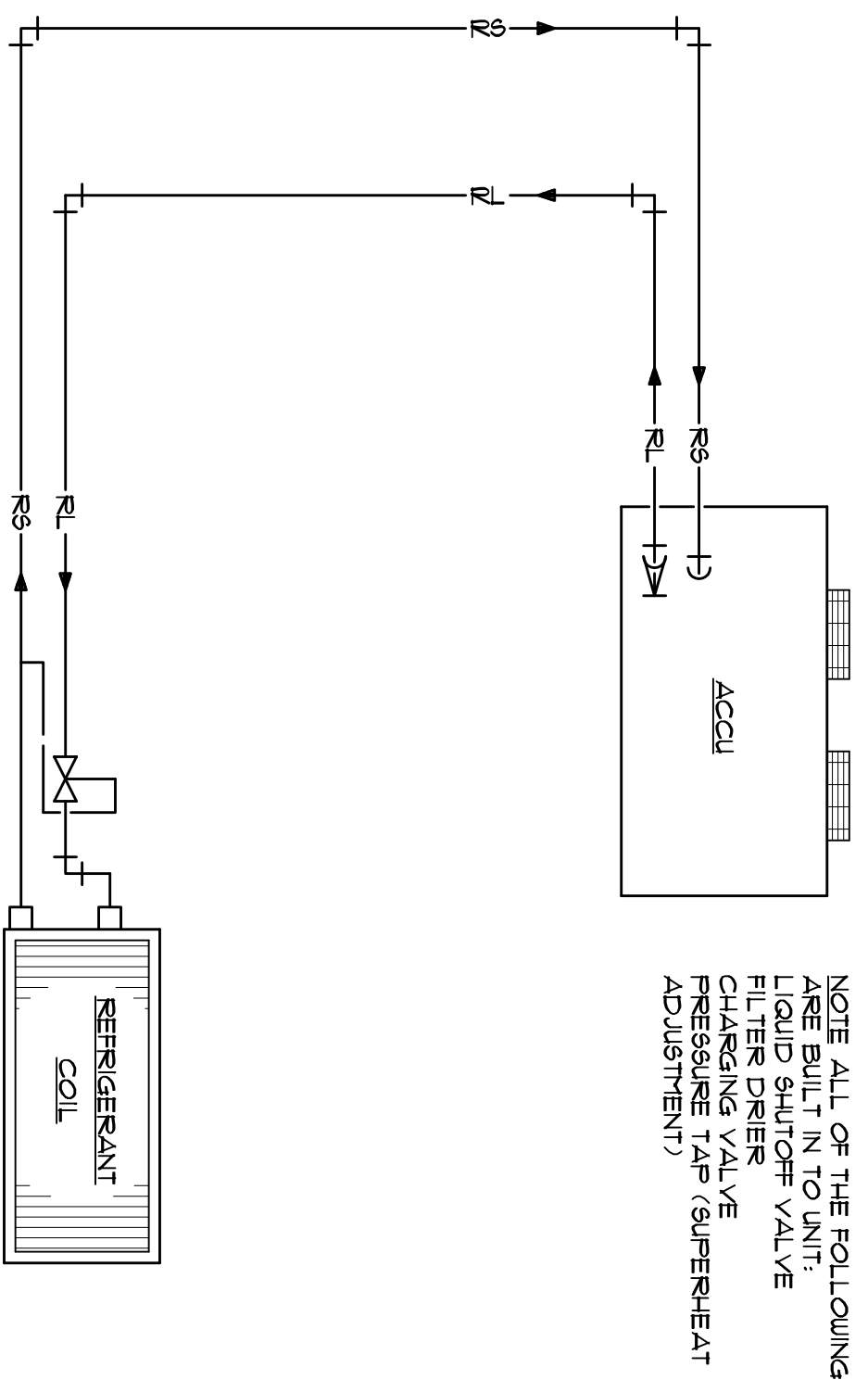
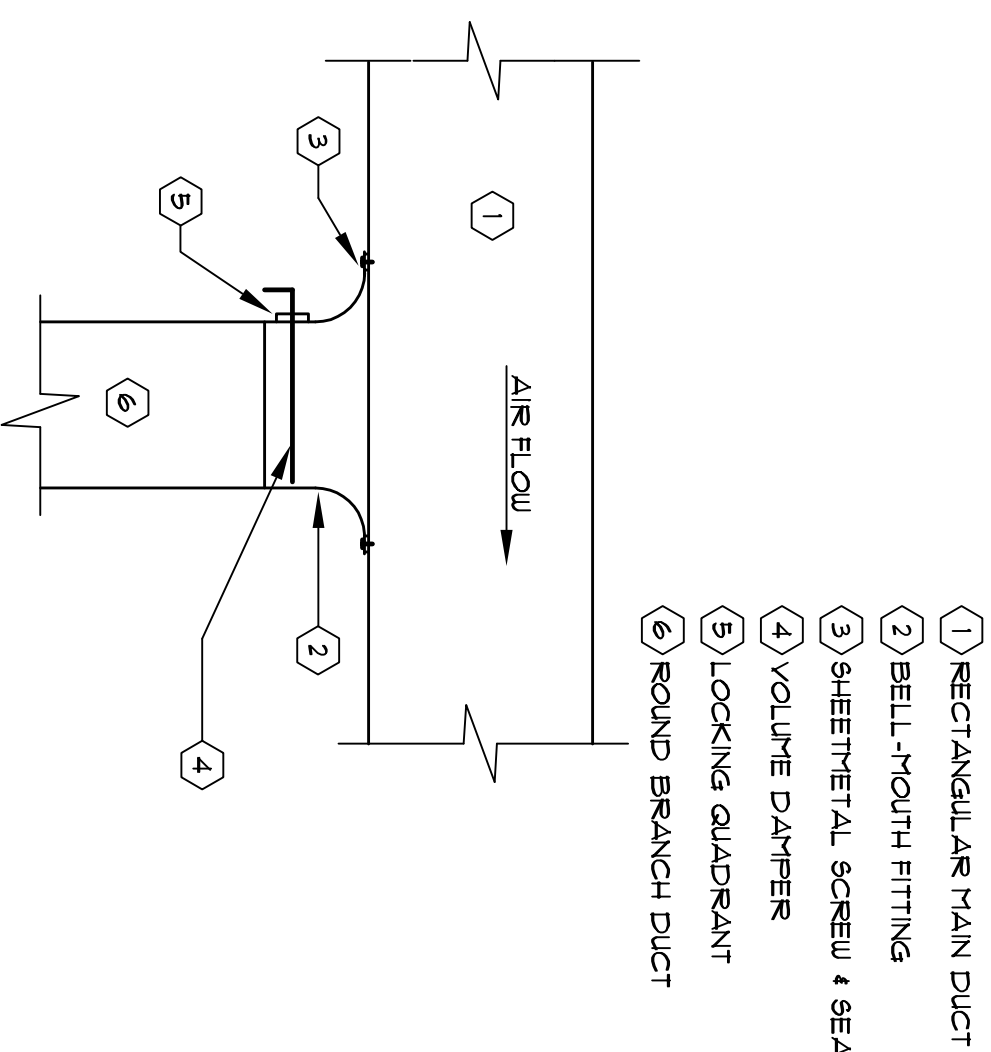


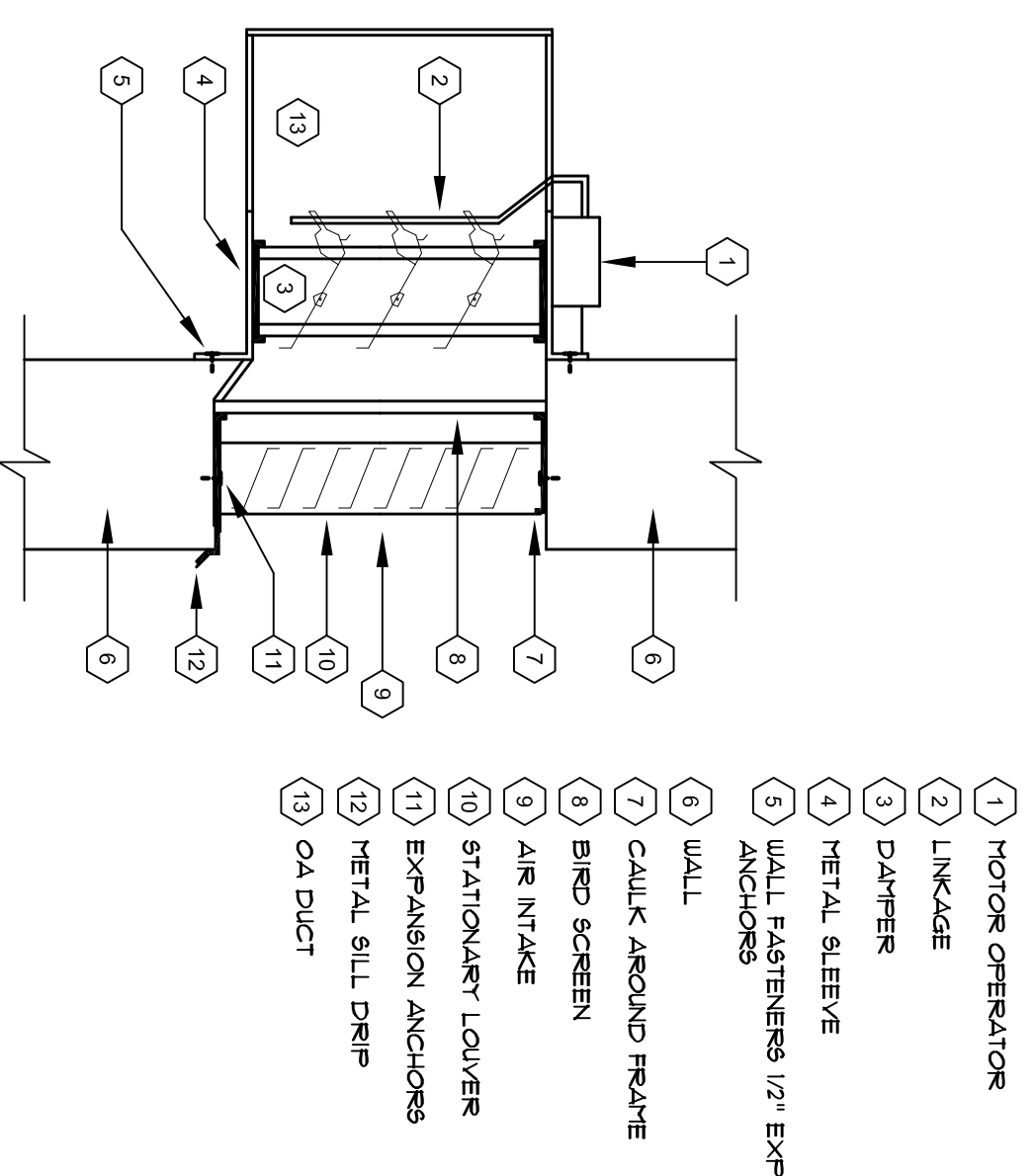
4 IN-LINE PUMP PIPING DETAIL
HS NOT TO SCALE



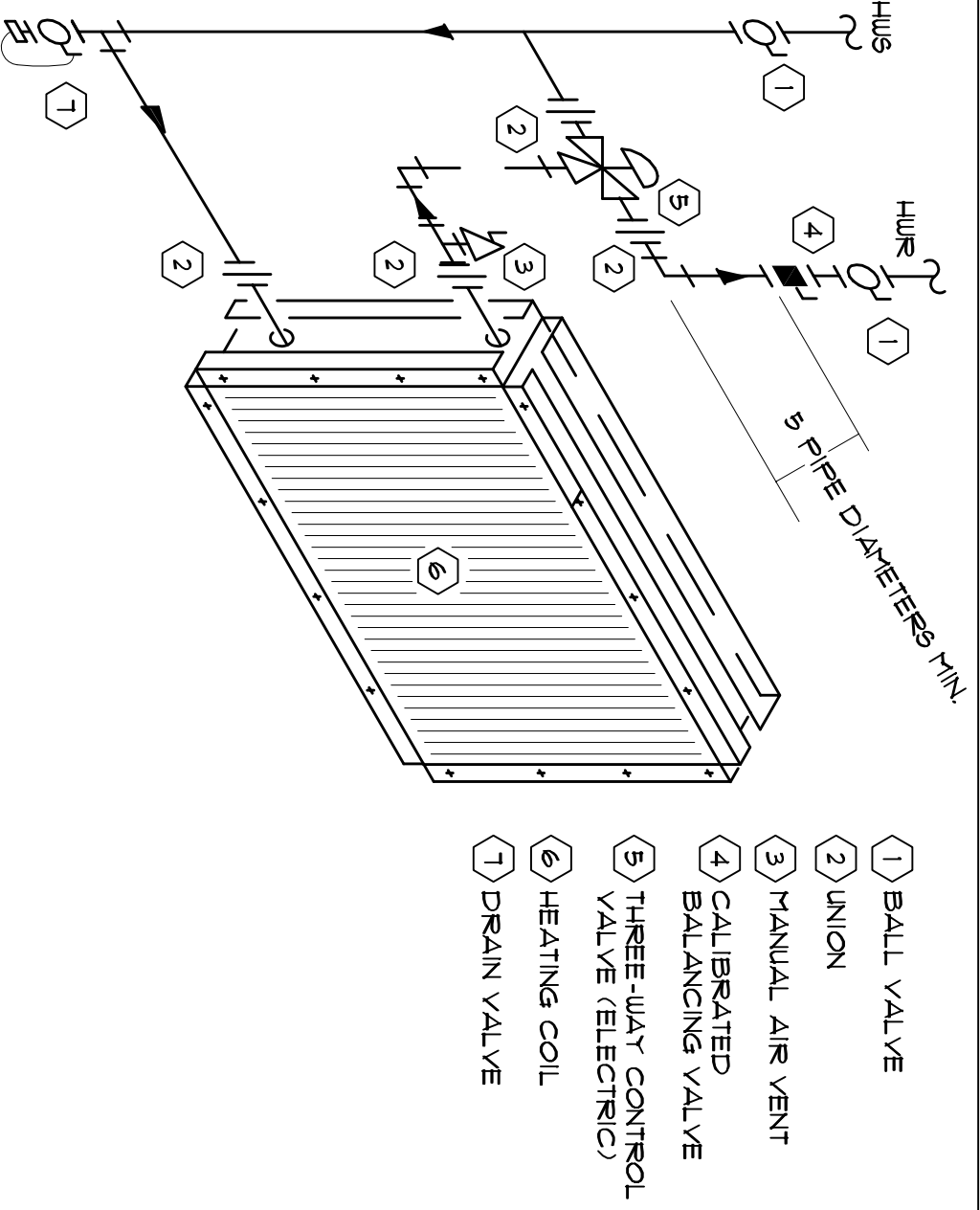
3 REFRIGERANT PIPING SINGLE COMPRESSOR WITHOUT UNLOADER
HS NOT TO SCALE



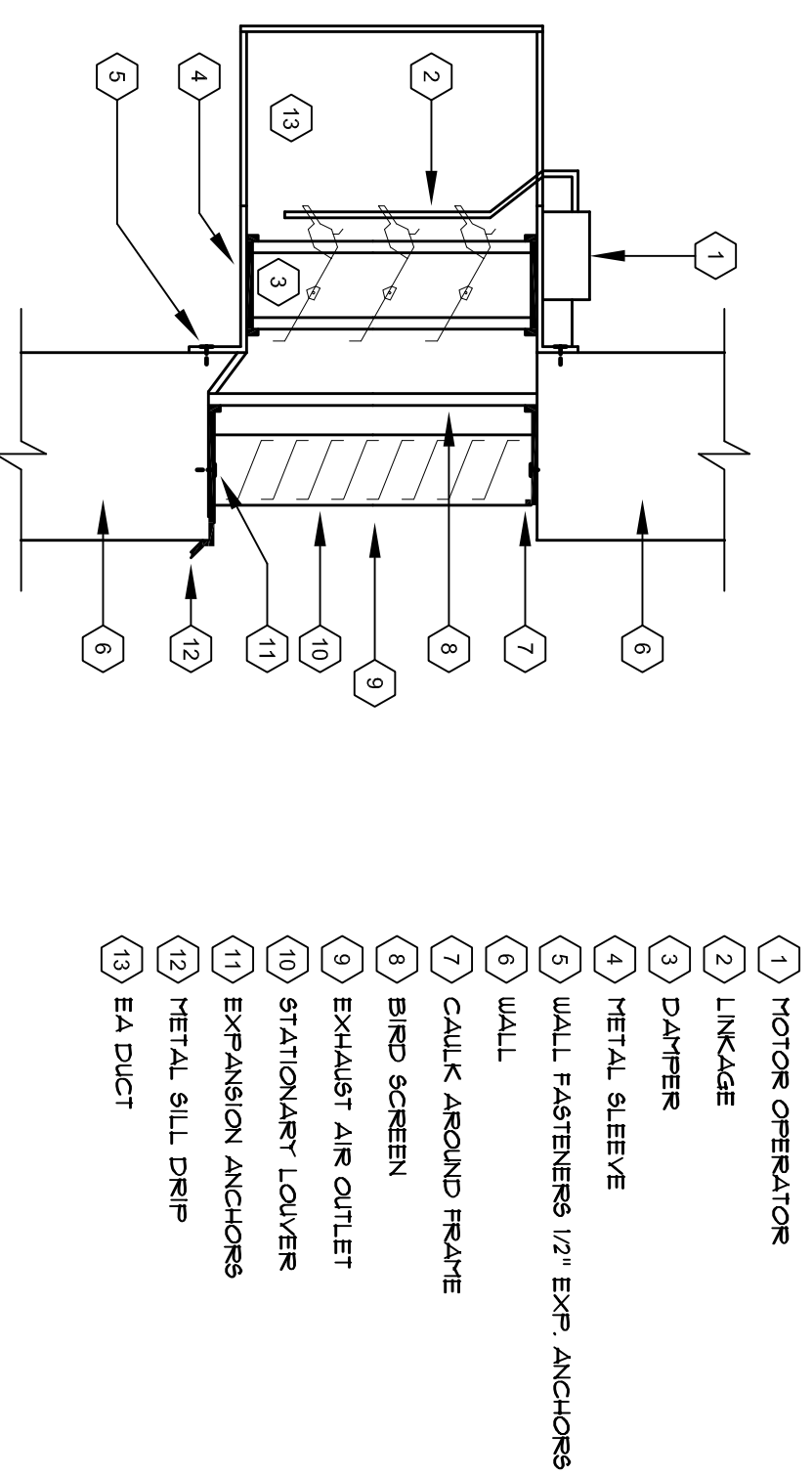
2 ROUND TAP TO RECTANGULAR DUCT
HS NOT TO SCALE



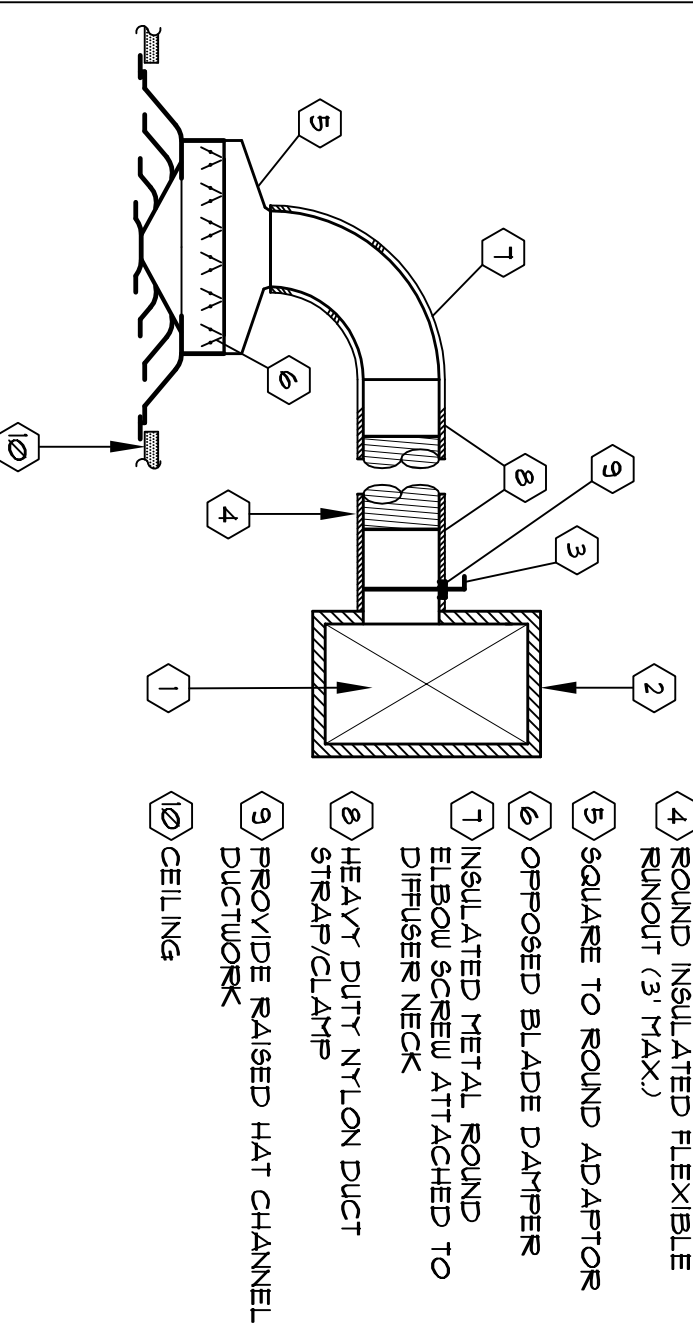
1 OUTSIDE AIR INTAKE DETAIL
HS NOT TO SCALE



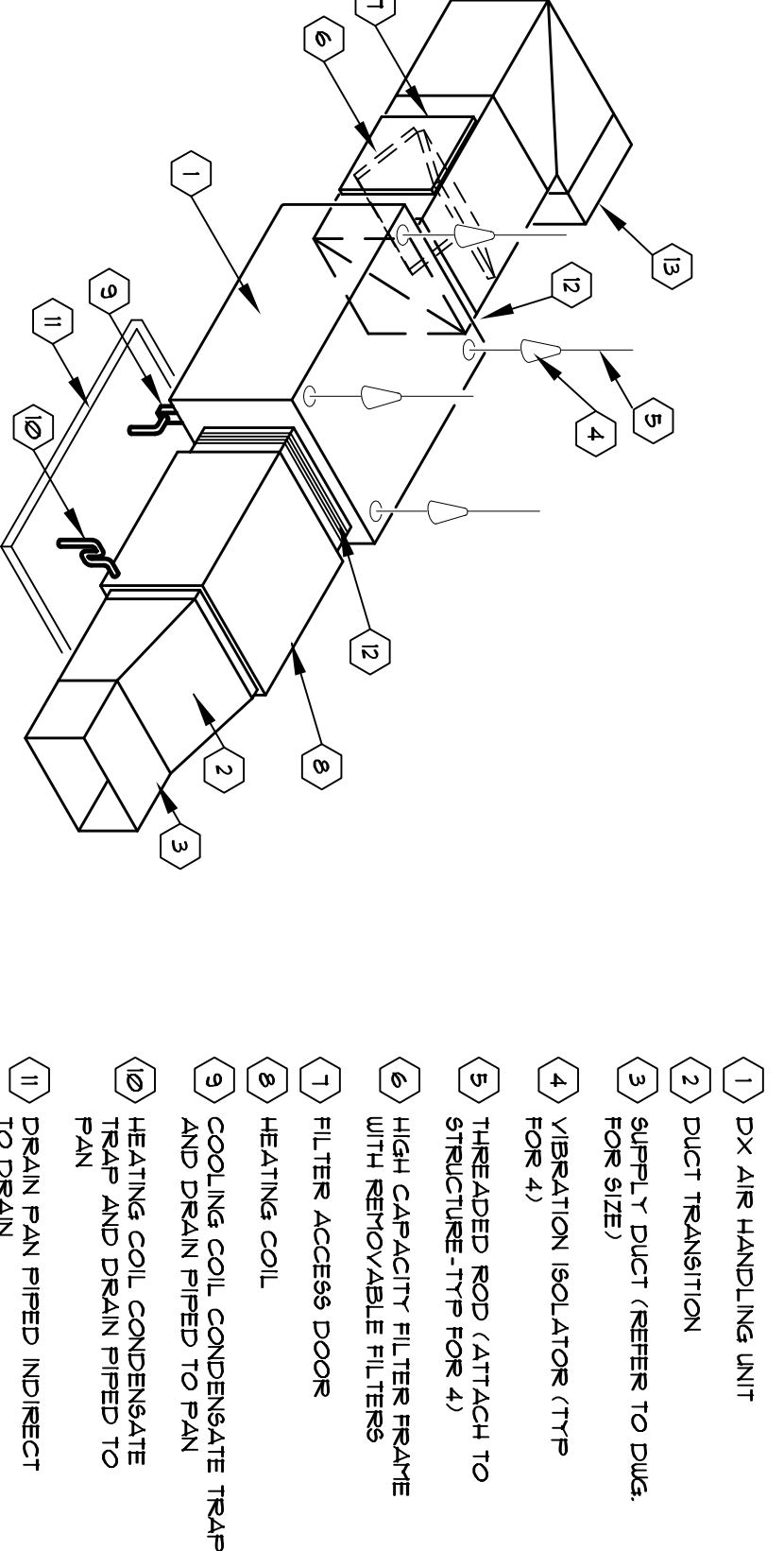
1 FAN COIL MOUNTED HOT WATER COIL
HS NOT TO SCALE



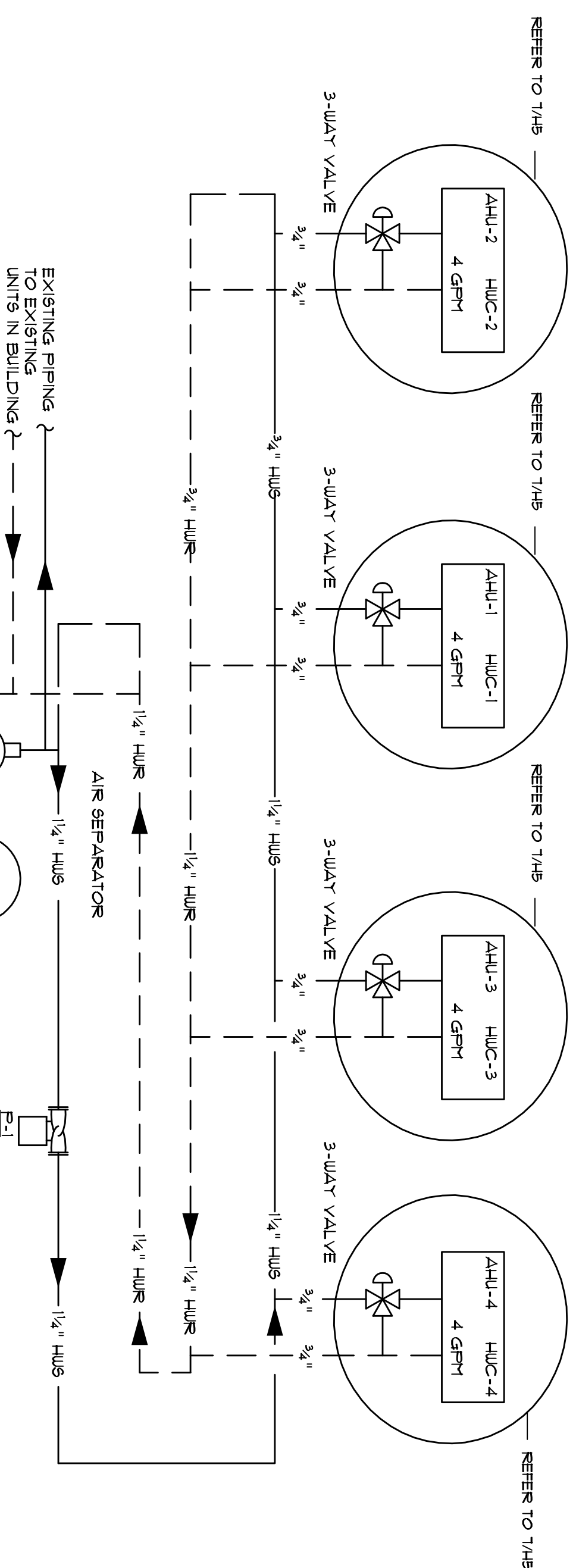
6 EXHAUST AIR DETAIL
HS NOT TO SCALE



9 DIFFUSER CONNECTION DETAIL
HS NOT TO SCALE



8 DX AIR HANDLING UNIT DETAIL
HS NOT TO SCALE



5 PIPING ISOMETRIC
HS NOT TO SCALE